

## DS-KV8102-IP/VP Plastic Villa Door Station



### Key Features

#### Basic Functions

- Video intercom function
- Access control function
- Issues cards via door station, up to Max. 256 cards (This function will be invalid if the card has been issued via the client.)
- Card readers supported
- Self-adaptive supplement
- High-Performance Embedded SOC Processor
- One-touch calling function

#### Video/Audio Functions

- HD video surveillance
- Noise suppression and echo cancellation
- H.264 video compression

- Low illumination

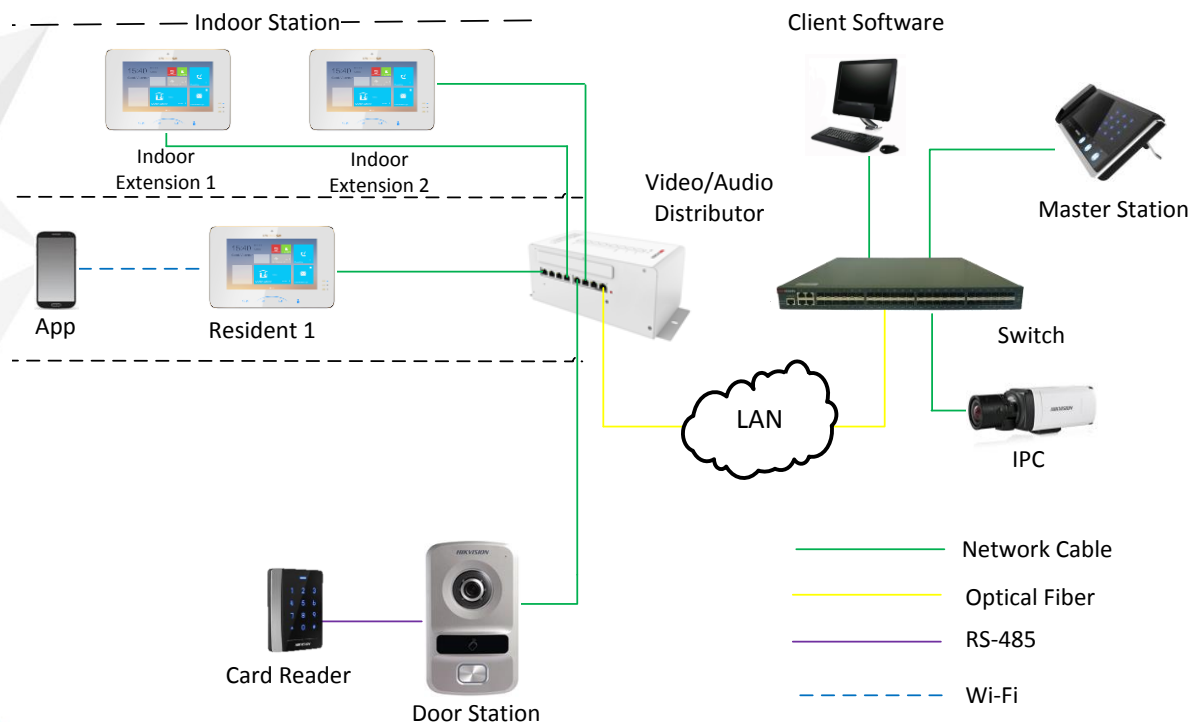
#### Remote Control

- Remote reboot, remote upgrade, time synchronization via NTP, and batch configuration function
- Remote unlocking via the client or the app
- Remotely answering the call via the client or the app

#### Additional Features

- Tampering alarm and door magnetic alarm
- Message notification function
- Auto-uploads captured pictures to FTP or the client while unlocking the door

### Typical Application



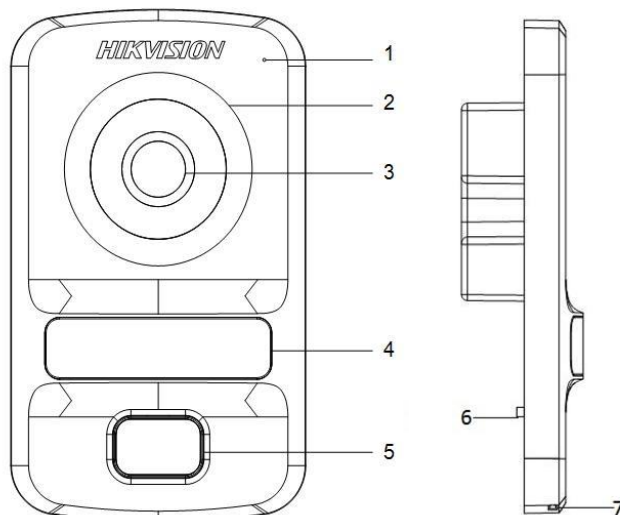
## Specifications

Model	DS-KV8102-IP		DS-KV8102-VP
System parameters	Processor	High-Performance Embedded SOC Processor	
	Operation system	Embedded Linux Operation System	
Video parameters	Camera	CMOS Low Illumination 1.3 MP HD Colorful Camera	
	Video compression standard	H.264	
	Resolution	1280 × 720	
	Video frame rate	25 fps	
Audio parameters	Audio input	Built-in Omnidirectional Microphone	
	Audio output	Built-in Loudspeaker	
	Audio compression standard	G.711 U	
	Audio compression rate	64 Kbps	
	Audio quality	Noise Suppression and Echo Cancellation	
Access control parameters	Internal card reader	Built-in IC Card Reader	
	Exit button	Exit Button for Opening the Door	
	Door magnetic detection	Detects Door Magnetic Status	
Light supplement	Light supplement mode	IR Supplement	Visible Light Supplement
Network parameters	Ethernet	10/100 Mbps Self-Adaptive Ethernet	
	Network protocol	TCP/IP, SIP, RTSP	
Alarm parameters	Alarm input	Door Magnetic Alarm, Tampering Alarm	
Device interfaces	Network interface	1 RJ-45 10/100 Mbps Self-Adaptive Ethernet Interface	
	RS-485	1 RS-485 Half-Duplex Port	
	I/O input	4	
	I/O output	1	
	Material	Plastic	
	Power supply	24 VDC, Power Over Network Cable (DS-KAD606, DS-KAD612) 12 VDC	
	Power consumption	≤12 W	
	Working temperature	-40° C to +70° C (-40° F to 158° F)	
	Working humidity	10% to 90%	
	IP protection level	IP65	
	Dimensions (L × W × H)	164 mm × 97 mm × 54.4 mm (6.46" × 3.82" × 2.14")	
	Certification	FCC, IC, CE, C-TICK, ROHS, REACH, WEEE	

## Available Models

DS-KV8102-IP, DS-KV8102-VP

## Appearance and Interfaces



Index	Description	Index	Description
1	Microphone	5	Call Button
2	Low Illumination Supplement Light	6	TAMPER
3	Built-in Camera	7	Loudspeaker
4	Card Induction Area		

Distributed by



## HIKVISION®

### Headquarters

No.555 Qianmo Road, Binjiang District,  
Hangzhou 310051, China  
T +86-571-8807-5998  
overseasbusiness@hikvision.com

**Hikvision USA**  
T +1-909-895-0400  
sales.usa@hikvision.com

**Hikvision Europe**  
T +31-23-55-42-770  
info.eu@hikvision.com

**Hikvision Middle East**  
T +971-4-8816086  
salesme@hikvision.com

**Hikvision Russia**  
T +7-495-669-67-99  
saleru@hikvision.com

**Hikvision India**  
T +91-22-28469900  
sales@pramahikvision.com

**Hikvision Italy**  
T +39-0438-6902  
info.it@hikvision.com

**Hikvision France**  
T +33(0)1-85-330-450  
info.fr@hikvision.com

**Hikvision Spain**  
T +34-91-737-16-55  
info.es@hikvision.com

**Hikvision Poland**  
T +48-22-460-01-50  
poland@hikvision.com

**Hikvision UK**  
T +01628-902140  
support.uk@hikvision.com

**Hikvision Singapore**  
T +65-6684-4718  
sg@hikvision.com

**Hikvision Oceania**  
T +61-2-8599-4233  
salesau@hikvision.com

**Hikvision Canada**  
T +1-909-895-0400  
sales.usa@hikvision.com

**Hikvision Korea**  
T +82-31-731-8841  
sales.korea@hikvision.com

**Hikvision Brazil**  
T +55 11 3318-0050  
Latam.support@hikvision.com

**Hikvision Africa**  
T +27 (0) 0351172  
sale.africa@hikvision.com

**Hikvision Hong Kong**  
T +852-2151-1761